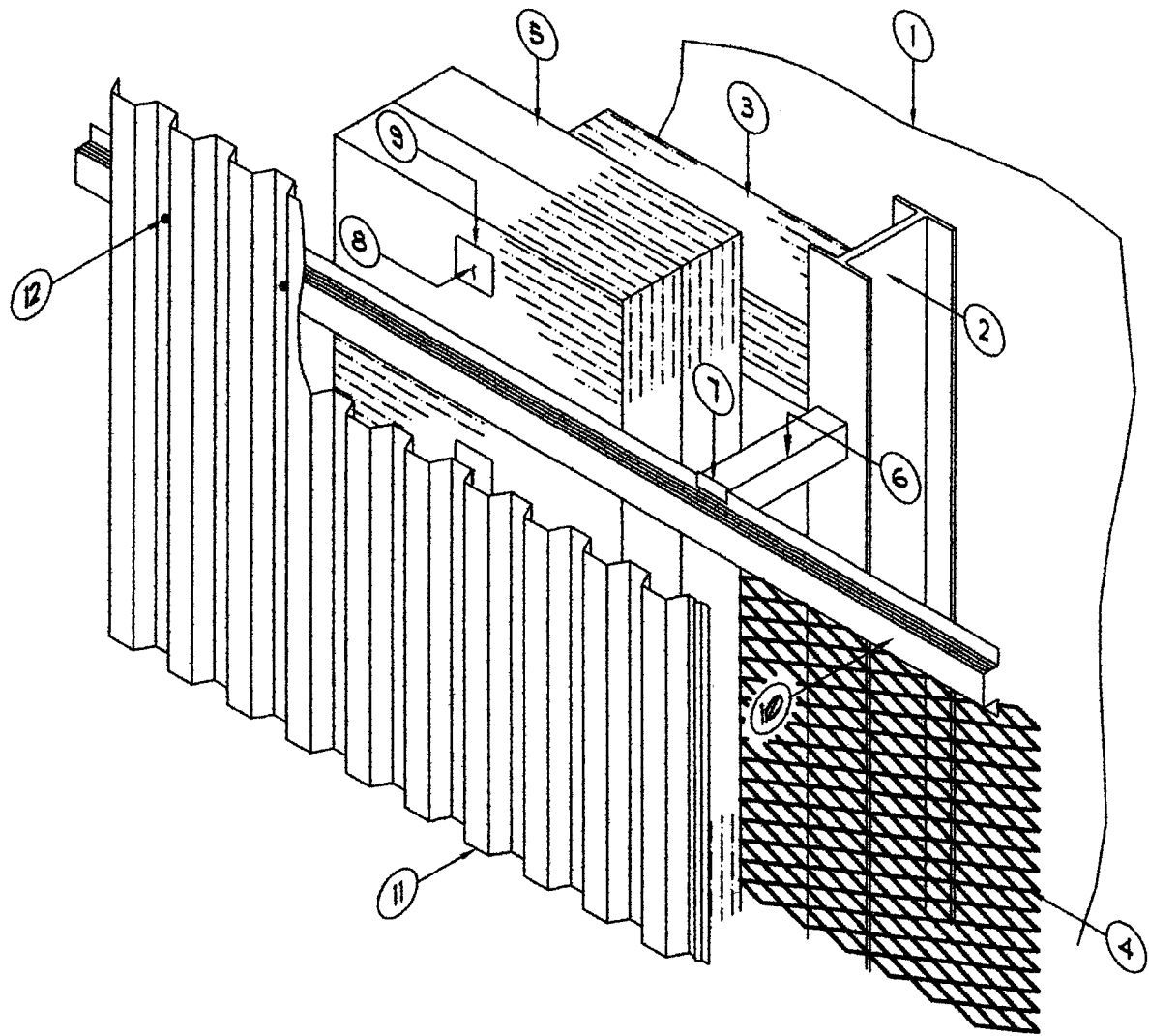


- ① DUCT IR
- ② EXISTING STIFFENER
- ③ DRAFT STOPS AS REQUIRED
- ④ 1½" x 13 GA. CS EXP. METAL
- ⑤ INSULATION AS REQUIRED
- ⑥ ANGLE STANDOFF
- ⑦ EXPANSION CLIP
- ⑧ J-HOOKS
- ⑨ SPEED WASHERS
- ⑩ HAT SECTION WITH FG TAPE BARRIER
- ⑪ SIDING
- ⑫ #14-410 6.8. TEK SCREWS



THIS DRAWING IS PROPRIETARY TO "ALLSTATE INSULATION" WITH PERMISSION FROM VMS, AND IS GRANTED UPON CONDITION THAT IT IS NOT TO BE COPIED IN WHOLE OR IN PART, OR USED FOR SUPPLYING INFORMATION TO OUTSIDE PARTIES AND WILL BE RETURNED UPON REQUEST

FOR PRICING AND AVAILABILITY
 CONTACT ALLSTATE INSULATION
 888-881-4822
 E-MAIL allstateinsulation@yahoo.com

FOR:

DRAWN BY:

SARY

HIGH TEMP INSULATION SYSTEM

SCALE:
 N.T.S.

DATE:
 9/11/02

DWG. NO.:
 9700-SKI