

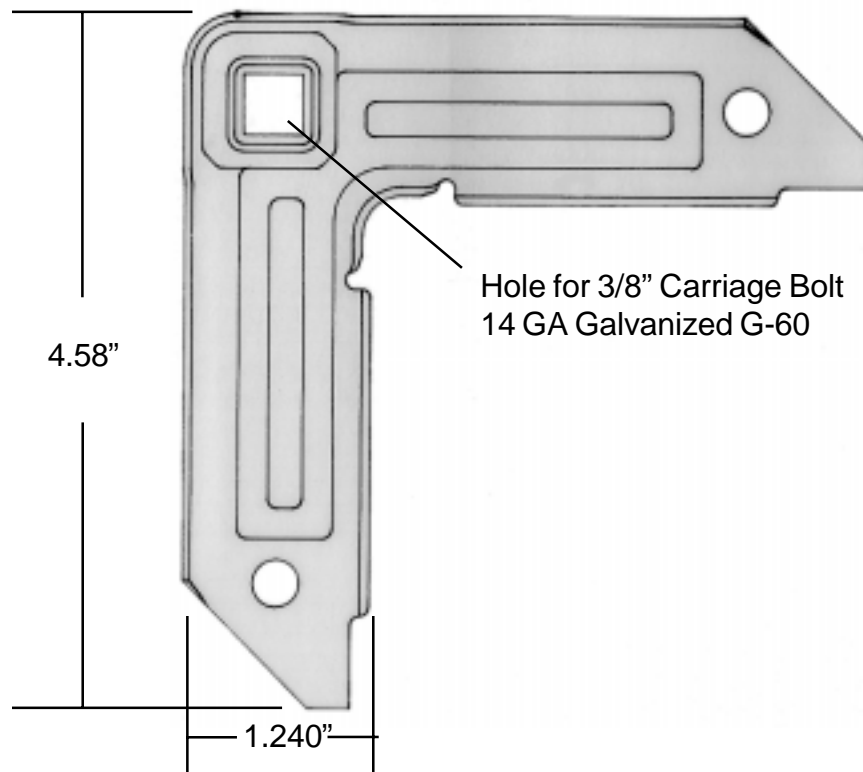


**DUCTMATE Industries, Inc.**

1502 Industrial Drive, E. Monongahela, PA 15063  
724/258-0500 • SALES OFFICE 800-245-3188 • FAX 724/258-5494

## **SPECIFICATION DATA SHEET**

### **“AUTO C” CORNER**



#### **BASIC USE:**

The “Auto C” corner was developed for use with the transverse duct connection systems that are rolled directly onto the duct edge. The “Auto C” corner, stamped out of G-60 galvanized steel, inserts into the rolled flange of the duct. It has been specially engineered to allow insertion by the ductmate Model “T” Corner Inserter. It may also be used when manually inserting corners