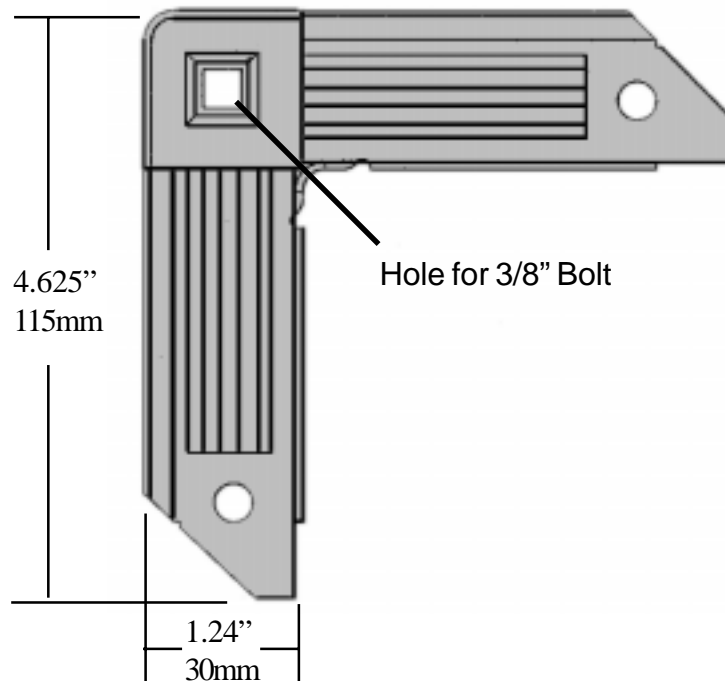


---

# SPECIFICATION DATA SHEET

---

## “C” CORNER



### BASIC USE:

The “C” corner was developed for use with the transverse duct connection systems that are rolled directly onto the duct edge. The “C” corner, stamped out of 16 GA galvanized steel, inserts into the rolled flange of the duct.