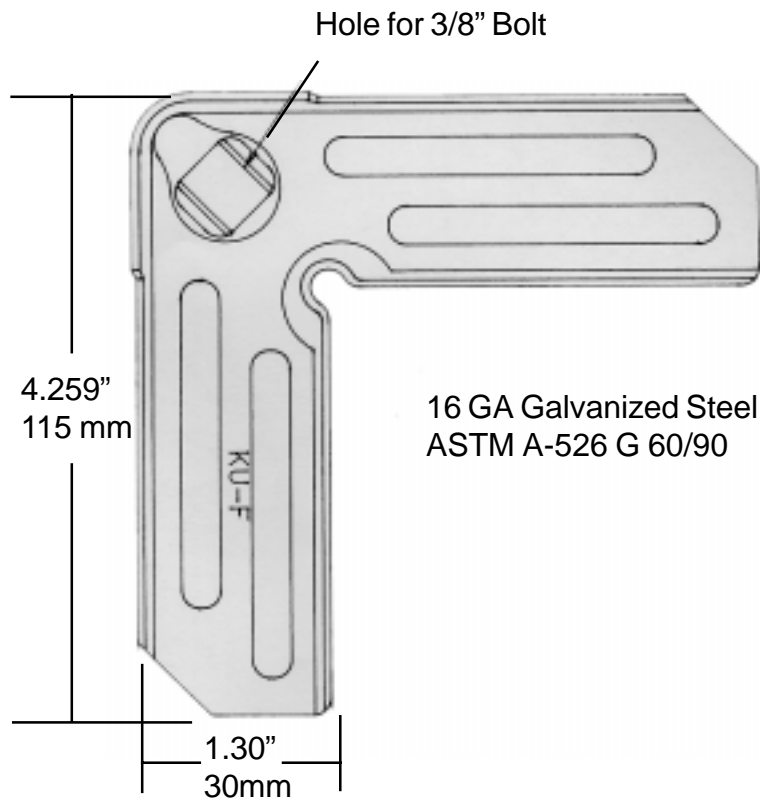

SPECIFICATION DATA SHEET

“F” CORNER



BASIC USE:

The “F” corner was developed for use with the transverse duct connection systems that are rolled directly onto the duct edge. The “F” corner is stamped from 16 GA galvanized steel and for insertion into the rolled flange of TDF ductwork.