

submittal

Job _____
 Location _____
 Submitted to _____
 Submittal Prepared by _____
 Approve Date _____
 Date _____

65 series Type A

S
C
E
P
S

UL Classified - 1½ Hour Rating, Static
 For use in installations rated
 2 hours or less

Thinline profile (2") 22Ga.
 1 piece rollformed frame

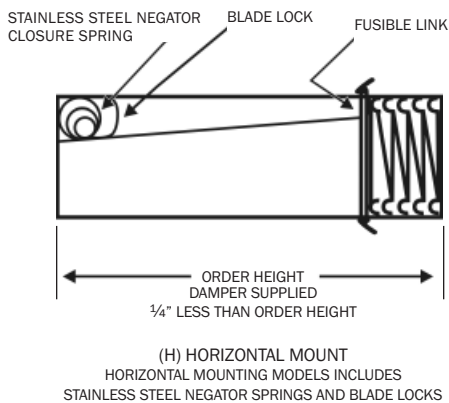
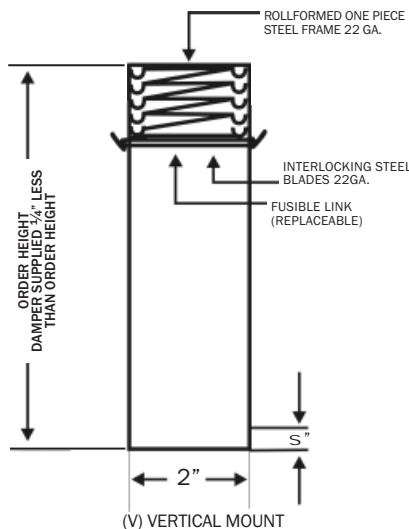
Type A Damper,
 Blades in air-stream

Available for vertical or
 horizontal installations

Standard fusible link - 165°
 (or w/optional 212°)

Available in stainless steel

Available in single-section sizes
 Vertical - 4" x 4" to 48" x 49"
 Horizontal - 4" x 4" to 41" x 36"



This product meets the requirements
 for fire dampers established by:

UL Standard 555
NFPA Standard 90A
ICC Building Codes

Qty.	Mount (V) vertical (H) horiz.	Damper Size		Fusible Link Temp (165° F) std.	Factory Sleeve Option				
		W	H		Dimensions		Gauge		Material
					L	K			